

All stainless steel contact gauge open or solid front

Model T5500-KF and T6500-KF

According EN 837-1
 Nominal size 100 mm or 160 mm
 Accuracy: Class 1 (EN)



Features

- Rugged stainless steel construction
- Socket and case welded
- Protection IP65
- Optional ATEX approved $\text{CE} \text{ II 2 G c}$
- Usable to full scale
- Overload protection 130 %
- Dry, liquid filled or liquid less (*PLUS!* gauge)
- Measuring system stainless steel or Monel

Ranges

-1 ... 0 bar up to 0 ... 1000 bar
 -30 in. Hg ... 0 psi up to 0 ... 15.000 psi

Applications

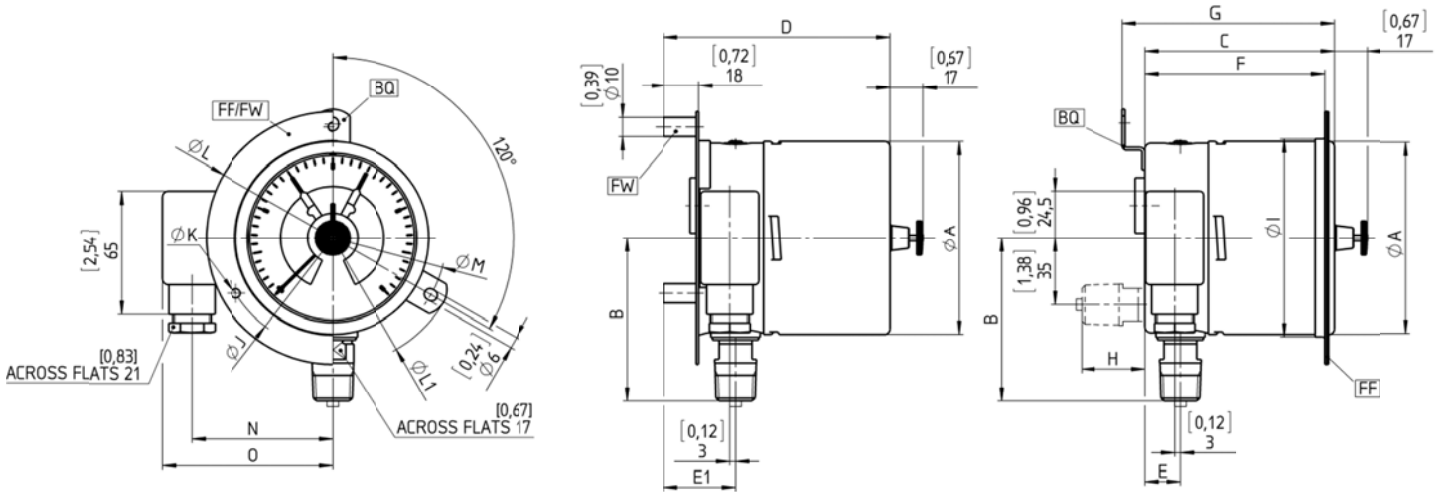
Chemical and petrochemical industry
 Machine and apparatus construction
 Food and beverage industry
 Pulp and paper industry



Technical specification	T5500-KF		T6500-KF	
	100	160	100	160
Dial size in mm	100	160	100	160
Construction	Open front cylindrical case with blow out disc at the back		Solid front safety pattern cylindrical case with blow out at the back	
Measuring principle	Bourdon tube			
Range in bar	0,6 1 1,6 2,5 4 6 10 16 25 40 60 100 160 250 400 600 1000			
Overpressure limit	-1/0 -1/0,6 -1/1,5 -1/3 -1/5 -1/9 -1/15 -1/24			
Pressure type	130 % F.S., short time Gauge, vacuum and compound			
Process connection	G ¼ B male, G ½ B male, G ¾ B male according EN 837-1, M20x1,5 male, R ½ male tapered (DIN 2999), ½" male straight (JIS, BSP), ¾" male straight (JIS, BSP), ¼ NPT male, ½ NPT male according ANSI/ASME B1.20.1, 9/16-18 UNF-2B Aminco (high pressure), Others on request (for pressure limitations see order information)			
Connection location	Lower, back		Lower only	
Material	Pressure connection: Stainless steel 316L (1.4404), optional Monel 400 Tube: Stainless steel 316L (1.4404), optional Monel K-500 Case/bayonet ring: Stainless steel 304 (1.4301) Window: Polycarbonate with front excess adjustment key Dial: Aluminum, black markings on white background Pointer: Aluminum, black, red setpoint setting pointer Movement: Stainless steel 304/303 (1.4301/1.4305)			
Accuracy	Class 1 (1 % F.S.)			
Permissible	Ambient temperature: -20 ... 60 °C Medium temperature: Max. 200 °C (dry), max. 100 °C (liquid filled) Storage temperature: -20 ... 55 °C for ATEX approved instrument Effect: -40 ... 60 °C Max. 0,3 % / 10 K			
Protection according EN 60 529/IEC 529	IP65			
Conformity according to RL 94/9/EC appendix X for mechanical equipment in potential hazardous areas	Optional, Marking $\text{CE} \text{ II 2 G c}$ IIC T6 for the pressure gauge and Ex ia IIC T6 IP65 for inductive proximity switch File no. 35134582 at notified body 0044, TÜV NORD CERT			
Filling liquids	Element 14* PDMS 50-E for magnetic spring contacts White oil for inductive proximity switches Optional dampened movement (liquid less gauge), functions as liquid filled gauge (<i>PLUS!</i> gauge)			
Mounting	Standard stem, optional flush or surface, others on request			
Weight dry/filled in kg	0,8/1,0	1,2/2,0	0,8/1,0	1,2/2,0
Accessories, options	Diaphragm seals, valves, details of contacts see data sheet G1.K5500			

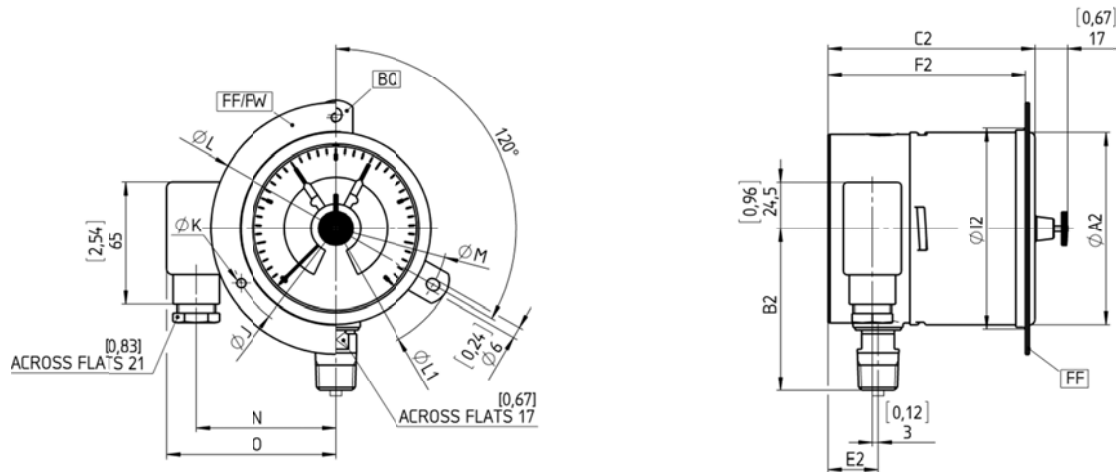
General dimensions in mm

T5500-KF open front with blow out compensation plug



NG	A	B	C	D	E	E1	F	G	H	I	J	K	L	L1	M	N	O
100 mm	[3,97] 101	[3,36] 85	[3,90] 99	[4,64] 118	[0,73] 18,5	[1,44] 36,5	[3,70] 94	[4,37] 111	[1,38] 35	[4,07] 103	[4,57] 116	[0,19] 4,8	[5,20] 132	[5,28] 134	[4,69] 119	[2,90] 74	[3,50] 89
160 mm	[6,35] 161	[4,54] 115	[3,94] 100	[4,68] 119	[0,67] 17	[1,47] 37	[3,70] 94	[4,41] 112	[1,46] 37	[6,46] 164	[7,01] 178	[0,22] 5,5	[7,72] 196	[7,64] 194	[7,05] 179	[4,06] 103	[4,67] 119

T6500-KF solid front with blow out back wall



NG	A2	B2	C2	E2	F2	I2	J	K	L	N	O
100 mm	[3,97] 101	[3,36] 85	[4,27] 109	[1,02] 26	[4,07] 104	[4,07] 103	[4,57] 116	[0,19] 4,8	[5,20] 132	[2,90] 74	[3,50] 89
160 mm	[6,35] 161	[4,54] 115	[4,51] 115	[1,11] 28	[4,27] 109	[6,46] 164	[7,01] 178	[0,22] 5,5	[7,72] 196	[4,06] 103	[4,69] 119

Rev. -

Ashcroft Instruments GmbH

Germany
 Max-Planck-Str. 1, D-52499 Baesweiler
 P.O. Box 11 20, D-52490 Baesweiler
 Tel.: +49 (0) 2401 808-0, Fax: +49 (0) 2401 808-125

France
 48, Chemin des Landes
 F-69700 Montagny
 Tel.: +33 (0) 9 65 32 71 31, Fax: +33 (0) 4 72 39 10 57

 Website: www.ashcroft.eu

 e-Mail: sales@ashcroft.com

United Kingdom

Unit 17&18 William James House
 Cowley Road, Cambridge CB4 0WX
 Tel.: +44 (0) 12 23 39 55 00, Fax: +44 (0) 12 23 39 55 01

Order information

Size	Type	System material	Execution	Process connection	Connection orientation	Range	Engineering unit	Filling/Contact	Options	
(100) 100 mm	T5500 -KF	(S) 316L (1.4404) ≤ 1000 bar	(D) Dry (L) Liquid filled	(04) ½ NPT male ¹⁾	(L) Lower (B) Back ¹⁾	-1/ 0 ¹⁾ -1/ 1,5 -1/ 3 -1/ 5 -1/ 9 -1/ 15 -1/ 24 0/ 1 ¹⁾ 0/ 1,6 0/ 2,5 0/ 4 0/ 6 0/ 10 0/ 16 0/ 25 0/ 40 0/ 60 0/ 100 0/ 160 0/ 250 0/ 400 0/ 600 0/1000	(BAR)	(=) Standard no filling (GT) Element 14* PDMS for magnetic spring contacts (GQ) White oil for inductive proximity switches (LJ) Field fillable (only for execution D) () For details of contacts see data sheet G1.K5500 ATEX approved contact gauges only with inductive proximity switches	(NH) Tagging wired (CS) Dual scale (Outer scale is dominant) (DA) Dial Marking (TU) Throttle plug stainless steel (6B) Cleaned for Oxygen service (not for T5500 (open front) acc. EN 837-1) (6W) Cleaned free of oil and grease (BQ) Wall mounting brackets (FF) Front flange (FW) Back flange (UF) U-clamp (not for T6500) (LL) Liquid less gauges (Halocarbon filling not allowed) (NZ) Liquid less gauges, silicon free (not for execution L) (OS) Overload stop (VS) Vacuum stop (ATEX) ATEX approval (C3) Material test report acc. to DIN EN 10204 3.1 (C4) Calibration certificate (HY) Hydrostatic test 130% (MQ) PMI test Option listing starts with "X", followed by options separated by "=" Example: X=NH=SG=FW	
(160) 160 mm	T6500 -KF	(P) Monel ≤ 1000 bar		(02) ¼ NPT male ¹⁾ (09) 9/16-18 UNF-2B Aminco (13) G ¼ B male ¹⁾ (14) G 3/8 B male ¹⁾ (15) G ½ B male ¹⁾ (16) M20x1,5 male ¹⁾ (KQ) R½ male tapered DIN 2999 ¹⁾ (KN) ½" male straight (JIS, BSP) ¹⁾ (KP) 3/8" male straight (JIS, BSP) ¹⁾						
				¹⁾ max. 1000 bar	¹⁾ not for type T6500-KF	¹⁾ not allowed with liquid less (LL or NS) option ²⁾ not allowed with execution L or with liquid less (LL or NS) option	psi and others on request			

Order example

Size	Type	System material	Execution	Process connection	Connection Orientation	Range	Engineering unit	Filling/Contact	Options
100	T5500-KF	S	D	15	L	0/16	BAR	M2100	NH

Ashcroft Instruments GmbH

Germany
 Max-Planck-Str. 1, D-52499 Baesweiler
 P.O. Box 11 20, D-52490 Baesweiler
 Tel.: +49 (0) 2401 808-0, Fax: +49 (0) 2401 808-125

France
 48, Chemin des Landes
 F-69700 Montagny
 Tel.: +33 (0) 9 65 32 71 31, Fax: +33 (0) 4 72 39 10 57

Website: www.ashcroft.eu

e-Mail: sales@ashcroft.com

United Kingdom

Unit 17&18 William James House
 Cowley Road, Cambridge CB4 0WX
 Tel.: +44 (0) 12 23 39 55 00, Fax: +44 (0) 12 23 39 55 01