

Capsule type pressure gauge

Model N5500

According EN 837-3
 Nominal size 100 mm or 160 mm
 Accuracy: Class 1,6

Features

- Stainless steel construction
- Suitable for corrosive environments
- Usable to full scale
- Overload protection up to 10 times F.S.
- Zero adjustment

Ranges

-6 ... 0 mbar up to 0 ... 600 mbar
 -2,5 ... 0 in. H₂O up to 0 ... 150 in. H₂O

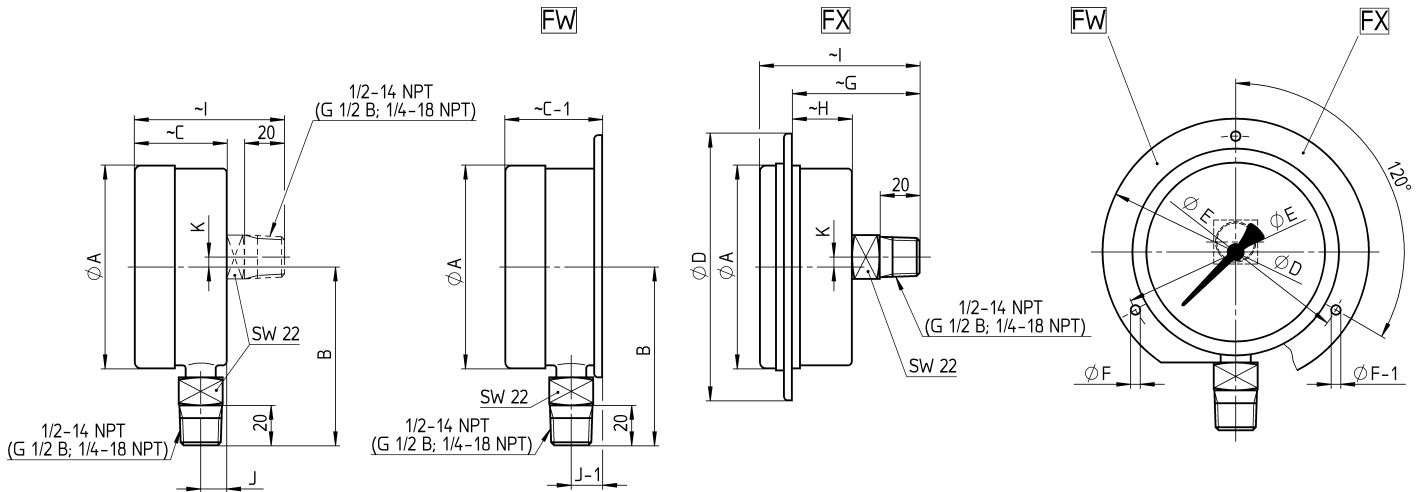
Applications

Chemical and petrochemical industry
 Air conditioning
 Food and beverage industry
 Machine and apparatus construction



Technical specification	N5500	
Dial size in mm	100	160
Construction	Open front cylindrical case, with blow out disc at the back and vent plug on top	
Zero adjustment	Standard	
Measuring principle	Capsule	
Range in mbar	25 40 60 100 160 250 400 600 6 10 16 -6/0 -10/0 -16/0 -25/0 -40/0 -60/0 -100/0 -160/0 -250/0 -400/0 -600/0	
Overpressure limit	Continues service up to maximum rating, alternating service up to 90 % F.S. Optional overrange protected up to 10 times F.S. (max. 2 bar)	
Pressure type	Gauge, vacuum and compound	
Process connection	G ¼ B male, G ½ B male, M20x1,5 male ¼ NPT male, ½ NPT male, according ANSI/ASME B1.20.1/EN 837 Others on request	
Connection location	Lower, back	
Material		
Pressure connection	316 series stainless steel (1.4571 or 1.4404)	
Capsule	316 series stainless steel (1.4571 or 1.4404)	
Case/bayonet ring	Stainless steel 304 (1.4301), optional 316L (1.4404)	
Window	Instrument glass, optional laminated safety glass or acrylic glass	
Dial	Aluminum, black markings on white background	
Pointer	Aluminum, black	
Movement	Stainless steel	
Accuracy	Class 1,6 (1,6 % F.S.), optional class 1 (1% F.S.)	
Permissible		
Ambient temperature	-25 ... 60 °C	
Medium temperature	Max. 100 °C	
Storage temperature	-40 ... 60 °C	
Effect	Max. 0,5 % / 10 K	
Protection according EN 60 529/IEC 529	IP45, IP65 if vent valve closed	
Filling	Optional, with glycerin or silicone for ranges ≥ 100 mbar only	
Mounting	Standard stem, optional flush or surface, others on request	
Weight in kg	0,8	1,2
Accessories, options	Valves, pressure limiters	

General dimensions in mm



	A	B	C	C-1	D	E	F-1	G	H	I	J	J-1	K
NG100	101	86	49	51	132	116	5	79	55	85	15	17	0
NG160	160	118	51	54	196	178	5,6	78	4,3	86	15	18	0

Option HP

	A	B	C	C-1	D	E	F	F-1	G	H	I	J	J-1	K
NG100	102	90	51	54	132	116	5	4,5	69	38	82	13	16	5
NG160	162	120	50	53	196	178	5,5	6	65	34	81	13	18	5

Rev. G

Order information

Size	System material	Execution	Process connection	Connection orientation	Range	Engineering units	Filling/Case material	Options
(100) 100 mm	(S) Capsule and connection 316 series stainless steel (1.4571 or 1.4401)	(D) Dry	(02) ¼ NPT male (04) ½ NPT male (13) G ¼ B male (15) G ½ B male (16) M20x1,5 male	(L) Lower (B) Back	-6/ 0 ¹⁾ -10/ 0 ¹⁾ -16/ 0 ¹⁾ -25/ 0 -40/ 0 -60/ 0 -100/ 0 -160/ 0 -250/ 0 -400/ 0 -600/ 0 0/ 6 ¹⁾ 0/ 10 ¹⁾ 0/ 16 ¹⁾ 0/ 25 0/ 40 0/ 60 0/ 100 0/ 160 0/ 250 0/ 400 0/ 600	(MBAR)	(=) Standard (GR) Glycerin (GV) Silicone (YW) Case material 316L (1.4404)	(NH) Tagging wired (AN) Calibration 1% F.S. (CS) Dual scale (DA) Dial marking (RB) Blow out disc (PD) Acrylic glass (SG) Safety glass (HP) Overpressure load 10 times (max. 2 bar) (FW) Back flange (FX) Front flange (only back connection) (C3) Material test report acc. to DIN EN 10204 3.1 (C4) Calibration certificate Option listing starts with "X", followed by options separated by "=" Example: X=NH=SG=FW
(160) 160 mm		(L) Liquid filled ¹⁾						

Order example

Size	Type	System material	Execution	Process connection	Connection orientation	Range	Engineering unit	Case material	Options
100	N5500	S	D	15	L	0/25	MBAR	=	NH

Ashcroft Instruments GmbH

Germany
 Max-Planck-Str. 1, D-52499 Baesweiler
 P.O. Box 11 20, D-52490 Baesweiler
 Tel.: +49 (0) 2401 808-0, Fax: +49 (0) 2401 808-125

France
 48, Chemin des Landes
 F-69700 Montagny
 Tel.: +33 (0) 9 65 32 71 31, Fax: +33 (0) 4 72 39 10 57

Website: www.ashcroft.eu

e-Mail: sales@ashcroft.com
 United Kingdom
 Unit 5 William James House
 Cowley Road, Cambridge CB4 0WX
 Tel.: +44 (0) 12 23 39 55 00, Fax: +44 (0) 12 23 39 55 01