

Duragauge® pressure gauge, solid front

Model 1279, 1377, 1379 and 2462

According ASME B40.100
Nominal size 4 ½, 6 and 8 ½ inch
Accuracy: Grade 2A (0,5 %)



Features

- Case solid-front safety design, field convertible to hermetically seal or liquid filled style
- Select from various socket and Bourdon tube materials
- Micrometer adjustable pointer
- 400 Series stainless steel movement wears better for longer life
- Teflon-coated pinion for longer life
- Patented Duratube™ with welded-tube construction controls stresses for longer life
- PLUS!™ Performance Option:
 - Liquid-filled performance in a dry gauge
 - Fights vibration and pulsations without liquid-filled headaches



Ranges

-1 ... 0 bar up to 0 ... 7000 bar
-30 in. Hg ... 0 psi up to 0 ... 100.000 psi

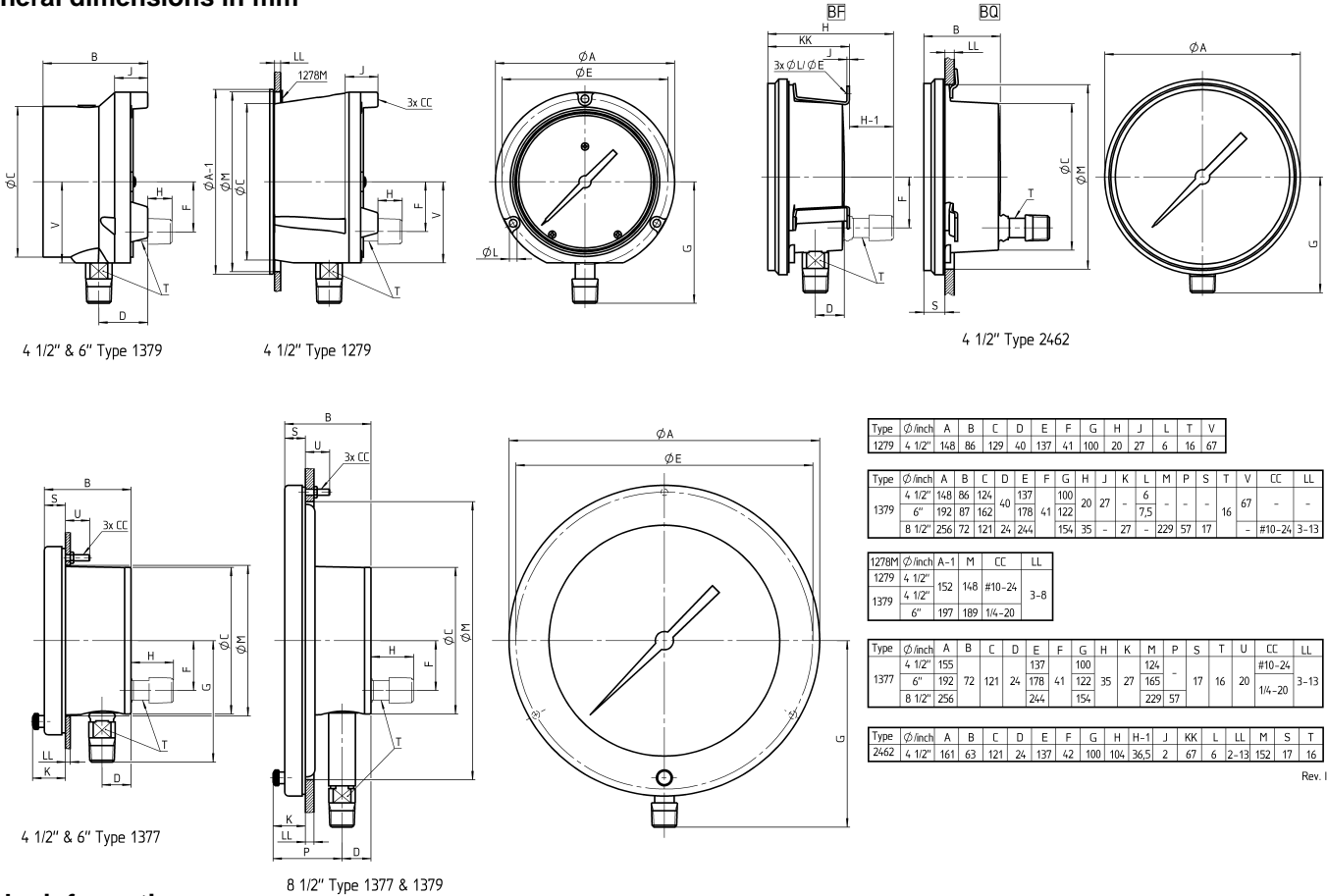
Applications

Chemical and petrochemical industry
Power plants, nuclear industry
Aerospace and cryogenics

Technical specification	1279	1379				1377			2462									
Dial size in inch	4 ½	4 ½	6	8 ½	4 ½	6	8 ½	4 ½										
Construction housing ring	Solid-front safety design Threaded				Hinged			Bayonet										
Measuring principle	Bourdon tube																	
Range in bar	0,6	1	1,6	2,5	4	6	10	16	25	40	60	100	160	250	400	600	1000	1600
High pressure in bar (6 inch only)	-1/0	-1/0,6	-1/1,5	-1/3	-1/5	-1/9	Receiver 0,2/1											
Overpressure limit	130 % F.S., short time																	
Pressure type	Gauge, vacuum and compound																	
Process connection	¼ NPT male, ½ NPT male according ANSI/ASME B1.20.1 9/16-18 UNF-2B Aminco, others on request																	
Connection location	Lower, back																	
Material																		
Pressure connection	Brass, stainless steel 316L (1.4404) or Monel 400																	
Tube	C510 Phosphor Bronze, stainless steel 316L (1.4404) or K Monel																	
Case	Phenolic				Aluminum, black epoxy coated				Polypropylene									
Back cover (dry)	Polypropylene		Polypropylene		Stainless steel		Stainless steel		Polypropylene									
(liquid filled)	Polypropylene		Stainless steel		-		-		Polypropylene									
Ring	Polypropylene																	
Window	Steel enamel coated																	
Dial	Instrument glass, optional laminated safety glass or acrylic glass (standard for high pressure)																	
Pointer	Aluminum, black, micrometer adjustable, optional red set hand or maximum pointer																	
Movement	Rotary, stainless steel 400 series, stainless steel Teflon coated pinion gear and segment																	
Accuracy	Grade 2A (0,5 % F.S.)																	
Permissible																		
Ambient temperature	-29 ... 93 °C ¹⁾ , liquid filled with glycerin -7 ... 66 °C, liquid filled with silicone or halocarbon -40 ... 66 °C																	
Medium temperature	-29 ... 121 °C, liquid filled with glycerin -7 ... 93 °C, liquid filled with silicone or halocarbon -40 ... 93 °C																	
Storage temperature	-40 ... 121 °C, liquid filled with glycerin -18 ... 66 °C, liquid filled with silicone or halocarbon -40 ... 66 °C																	
Effect	¹⁾ Available for temperatures below -29 °C, see Product Information page ASH/PI-21B for details. Max. 0,3 % / 10 K																	
Protection according EN 60 529/IEC 529	IP54 (dry) IP66 or NEMA 4 (filled)		IP54 (dry), IP65 (liquid filled), optional IP65 hermetically sealed for dry gauges															
Filling liquids	Glycerin, silicone, halocarbon, others on request				Filling not available													
Mounting	Stem, surface, optional flush				Stem, flush			Stem, flush, optional surface										
Weight dry/filled in kg	≤ 1600 bar	1,6/2,0	1,1/1,5	1,4/2	2,4	1,25/-	1,4/-	2,5/-	1,1/-									
≥ 2500 bar	-	-	2,6/3,2	-	-	-	-	-	-									
Accessories, options	Diaphragm seals, valves, gauges with contacts, gauges with electric output, NACE																	

All specifications are subject to change without notice.

General dimensions in mm



Type	∅/inch	A	B	C	D	E	F	G	H	J	L	T	V
1279	4 1/2"	148	86	129	40	137	41	100	20	27	6	16	67

Type	∅/inch	A	B	C	D	E	F	G	H	J	K	L	M	P	S	T	U	V	CC	LL
1379	4 1/2"	148	86	124	40	137	100	20	27	6	-	-	-	-	-	16	67	-	-	
	6"	192	87	162	24	178	41	122	35	27	-	-	-	-	-	-	-	-	-	
	8 1/2"	256	72	121	24	244	154	35	-	27	-	229	57	17	-	-	-	-	-	

1279M	∅/inch	A-1	M	CC	LL
1279	4 1/2"	152	148	#10-24	-
1379	4 1/2"	-	-	-	3-8
	6"	197	189	1/4-20	-

Type	∅/inch	A	B	C	D	E	F	G	H	K	M	P	S	T	U	CC	LL	
1377	4 1/2"	155	-	-	-	137	100	-	-	-	124	-	-	17	16	20	-	-
	6"	192	72	121	24	178	41	122	35	27	165	-	-	-	-	-	-	-
	8 1/2"	256	-	-	-	244	154	-	-	-	229	57	-	-	-	-	-	-

Type	∅/inch	A	B	C	D	E	F	G	H	H-1	J	KK	L	LL	M	S	T
2462	4 1/2"	161	63	121	24	137	42	100	104	36,5	2	67	6	2-13	152	17	16

Rev. I

Order information

Size	Type	System material	Execution	Process connection	Connection orientation	Range	Engineering units	Filling liquid	Options
(45) 4 1/2 inch (115 mm)	1279	(A) Brass socket, bronze tube ¹⁾	(S) Solid front IP54	(04) 1/2 NPT male ¹⁾	(L) Lower	-1/ 0	(BAR)	(=) Standard no filling	(NH) Tagging wired
	1377	(S) 316L (1.4404) ²⁾	(SH) Hermetically sealed IP65, field fillable ^{1) 2)}	(02) 1/4 NPT male ¹⁾	(B) Back ¹⁾	-1/ 1,5			
(60) 6 inch (150 mm) ¹⁾	1379	(P) Monel 400 socket, K-Monel 500 tube ^{2) 4)}	(SL) Liquid filled IP65 ^{1) 2)}	(09) 9/16-18 UNF-2B Aminco (standard for high pressure > 1000 bar)		0/ 0,6		(GV) Silicone	(TX) Throttle screw stainless steel (not for process connection 09)
						0/ 1			
(85) 8 1/2 inch (215 mm) ¹⁾	2462	(WW) 316 (1.4401) socket, inconel 718 tube ³⁾		(15) G 1/2 B male ^{1) 2)}		0/ 2,5		(GV3) Silicone 3 cst	(6B) Oxygen service
						0/ 4			
						0/ 6			
						0/ 10			
						0/ 16			
						0/ 25			
						0/ 40			
						0/ 60			
						0/ 100			
						0/ 160			
0/ 250									
0/ 400									
0/ 600									
0/ 1000									
0/ 1600									
0/ 2500									
0/ 4000									
0/ 6000									
0/ 7000									
								(GR) Glycerin	(PD) Acrylic glass
									(SG) Safety glass
									(EP) Maximum pointer adjustable
									(SH) Red set hand stationary
									(LL) Liquid less gauge (PLUS! gauge)
									(PR) Receiver gauge
									(56) Flush mounting ring for 4 1/2" and 6" type 1279 and 1379

¹⁾ not for type 1279 and 2462 ²⁾ max. 60 bar ³⁾ max. 1600 bar ⁴⁾ only for high pressure gauges type 60-1379

¹⁾ not for type 1279, 2462 and 8 1/2" type 1379 ²⁾ max. 1000 bar ¹⁾ not for type 85-1379

²⁾ IP66 / NEMA4 for 1279 ²⁾ only for 316L

psi and others on request

Order example

Size	Type	System material	Execution	Process connection	Connection orientation	Range	Engineering unit	Filling liquid	Options
45	1279	S	SL	15	L	0/16	BAR	GR	NH