

Duratemp thermometers

Model 600A, 600B and 600H

Nominal size 4 ½, 6 and 8 ½ inch
Accuracy: 1 %

Features

- Molecular sieve system, low internal pressure
- Extreme shock and vibration resistance
- According to standard ASME B40.200 (former B40.4)
- Unique direct driven bourdon tube, silicone damped
- Low ambient temperature error
- Overload protection 125 % F.S.

Ranges

-200 ... 100 °C up to 200 ... 650 °C
-320 ... 200 °F up to 400 ... 1200 °F

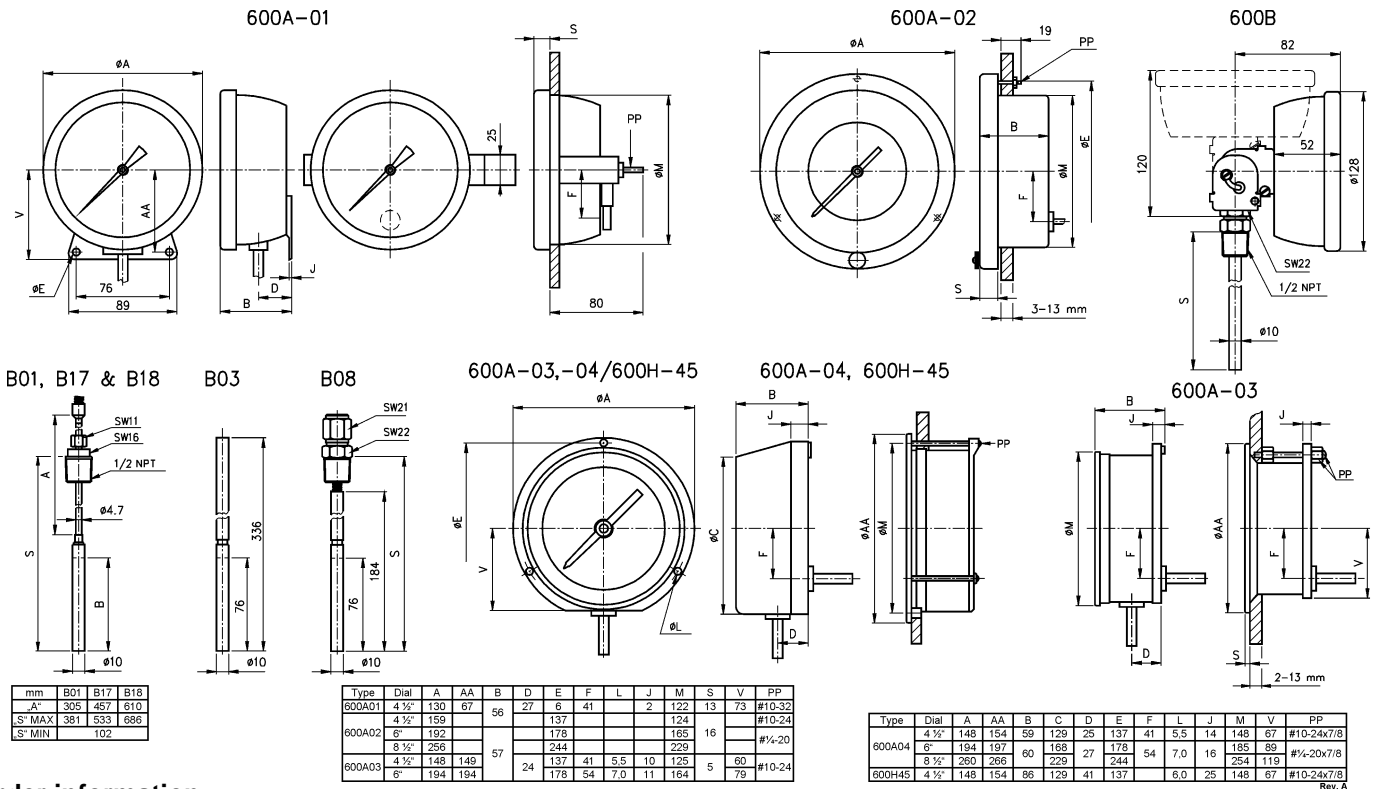
Applications

Chemical and petrochemical industry
Machine and apparatus construction
Navy and marine
Pulp and paper industry



| Technical specification | 600A | | | | | | | | 600H | 600B |
|--|--|----------|----------|--------|----------|--------|-------------|----------|-----------------------|--------------------|
| Case style | 01 | | 02 | | 03 | | 04 | | 45 | |
| Dial size [inch] | 4 ½ | | 4 ½ | 6 | 8 ½ | 4 ½ | 6 | 4 ½ | 6 | 4 ½ |
| Remote/direct mounted | Remote with capillary | | | | | | | | | Direct, rigid stem |
| Construction housing ring | Open front Bayonet Hinged | | | | Threaded | | Snap ring | | Solid front Threaded | |
| Measuring principle | Molecular sieve gas/activated carbon | | | | | | | | | |
| Range [°C] | -200/100 | -80/40 | -40/80 | 0/120 | 10/150 | 0/300 | 0/400 | 200/650 | | |
| [°F] | -320/200 | -100/100 | -40/180 | 20/240 | 50/300 | 50/550 | 50/750 | 400/1200 | | |
| Overtemperature limit | Minimum 125 % F.S., others consult factory | | | | | | | | | |
| Sensitive length | 3" (76 mm) | | | | | | | | | |
| Stem length | 12" (304 mm) (B01), 13 ¼" (336 mm) (B03), 18" (457 mm) (B17), 24" (609 mm) (B18) | | | | | | | | | 6", 9", 12", 15" |
| Capillary length | 5' (1.5 m), 10' (3 m), 20' (6 m), 30' (9 m), 50' (15 m), 80' (24 m), others on request | | | | | | | | | |
| Process connection | Plain bulb with rigid extension (B03) ½ NPT male union on stem or capillary (B08) Bendable extension with ½ NPT male union, length 12" (B01), 18" (B17), 24" (B18) | | | | | | | | | ½ NPT male fixed |
| Connection orientation | Lower, rear | | Rear | | Lower | | Lower, rear | | Lower | |
| Material | Stainless steel 316 (1.4401) | | | | | | | | | |
| Connection/stem/bulb | Stainless steel 300 series | | | | | | | | | |
| Capillary/armor | 304 (1.4301) | | Aluminum | | Aluminum | | Phenolic | | Phenolic herm. sealed | |
| Case | 304 (1.4301) | | | | | | | | | |
| Window | Instrument glass, optional laminated safety glass or acrylic glass | | | | | | | | | |
| Dial | Aluminum, black markings on white background | | | | | | | | | |
| Pointer | Aluminum, black, optional red set hand or maximum pointer | | | | | | | | | |
| Accuracy | 1 % F.S. | | | | | | | | | |
| Permissible | | | | | | | | | | |
| Ambient temperature | -25 ... 70 °C | | | | | | | | | |
| Storage temperature | -40 ... 75 °C | | | | | | | | | |
| Effect | At mid scale 0,3 % / 10 K | | | | | | | | | |
| Protection according EN 60 529/IEC 529 | IP54 | | | | | | | | IP65 | IP54 |
| Mounting | Surface or flush, depending on configuration | | | | | | | | Surface | Direct |
| Weight [kg] | Consult factory, depending on configuration | | | | | | | | | |
| Accessories, options | Thermowells, dual scale, contacts, calibration certificates | | | | | | | | | |

General dimensions [mm]



Order information

| Type | Case style | Mounting | Bulb style/length | Armor style | Line length | Range | Options |
|------|--|---|--|----------------------------------|---|---|---|
| 600A | (01) Stainless steel with bayonet ring | (C01) 4 1/2" surface lower (C11) 4 1/2" flush rear | Bendable extension length with 1/2 NPT male union connection (B01) 12" (304 mm) (B17) 18" (457 mm) (B18) 24" (609 mm) Plain bulb with rigid extension length (B03) 13" (336 mm) Plain bulb with rigid extension and with 1/2 NPT male union connection (B08) Sliding on bulb or capillary | (A1) Stainless steel spring lock | (L01) 5 ft (1,5 m) (L03) 10 ft (3 m) (L07) 20 ft (6 m) (L09) 30 ft (9 m) (L13) 50 ft (15 m) (L19) 80 ft (24 m) | in °C (AY) -200/ 100 °C (BL) -80/ 40 °C (BN) -40/ 80 °C (BS) 0/ 120 °C (BT) 10/ 150 °C (BU) 0/ 300 °C (BW) 0/ 400 °C ¹⁾ (BJ) 200/ 650 °C ¹⁾ in °F (AB) -320/ 200 °F (AE) -100/ 100 °F (AG) -40/ 180 °F (AK) 20/ 240 °F (AL) 50/ 300 °F (AN) 50/ 550 °F (AR) 50/ 750 °F ¹⁾ (AT) 400/ 1200 °F ¹⁾ Dual scales °F/°C (CE) 20/ 240 °F 0/ 120 °C (CF) 50/ 550 °F 0/ 300 °C (DR) 50/ 300 °F 10/ 150 °C (DT) -40/ 180 °F -40/ 80 °C | (NH) Tagging wired (EP) Maximum pointer adjustable (EQ) Minimum pointer adjustable (PD) Acrylic glass (SG) Safety glass (SH) Red set hand stationary (EO) Red set hand externally adjustable (ED) High/low electrical contact (EE) Double high electrical contact (EF) Double low electrical contact |
| | (02) Aluminum hinged ring | (C12) 4 1/2" flush rear (C27) 6" flush rear (C35) 8 1/2" flush rear | | | | | |
| | (03) Aluminum threaded ring | (C02) 4 1/2" surface lower (C15) 6" surface lower | | | | | |
| | (04) Phenolic snap ring | (C03) 4 1/2" surface lower (C08) 4 1/2" surface rear (C38) 4 1/2" flush rear (C16) 6" surface lower (C42) 6" flush rear | | | | | |
| 600H | (45) Phenolic hermetically sealed | (C60) 4 1/2" surface lower | | | | | |
| 600B | (=) Stainless steel with bayonet ring | (=) 4 1/2" direct lower | (01) 6" (152 mm) (02) 9" (228 mm) (03) 12" (304 mm) (04) 15" (381 mm) | (=) not available | (=) not available | | |

¹⁾ min. length 9" for type 600B

How to order

| Type | Case style | Mounting | Bulb style/length | Armor style | Line length | Range | Option |
|------|------------|----------|-------------------|-------------|-------------|-------|--------|
| 600A | 01 | C01 | B01 | A1 | L01 | BS | NH |

Ashcroft Instruments GmbH

Germany
Max-Planck-Str. 1, D-52499 Baesweiler
P.O. Box 11 20, D-52490 Baesweiler
Tel.: +49 (0) 2401 808-0, Fax: +49 (0) 2401 808-125

France
48, Chemin des Landes
F-69700 Montagny
Tel.: +33 (0) 9 65 32 71 31, Fax: +33 (0) 4 72 39 10 57

Website: www.ashcroft.eu

United Kingdom
Unit 17 & 18 William James House
Cowley Road, Cambridge CB4 0WX
Tel.: +44 (0) 12 23 39 55 00, Fax: +44 (0) 12 23 39 55 01

e-Mail: sales@ashcroft.com