

# All stainless steel pressure gauge

## Model 5008

According EN 837-1  
Nominal size 63 mm  
Accuracy Class 1,6



### Features

- Rugged stainless steel construction
- Socket and case welded
- Protection IP66 & IP67
- Overload protection 130 %
- Dry or liquid filled

### Ranges

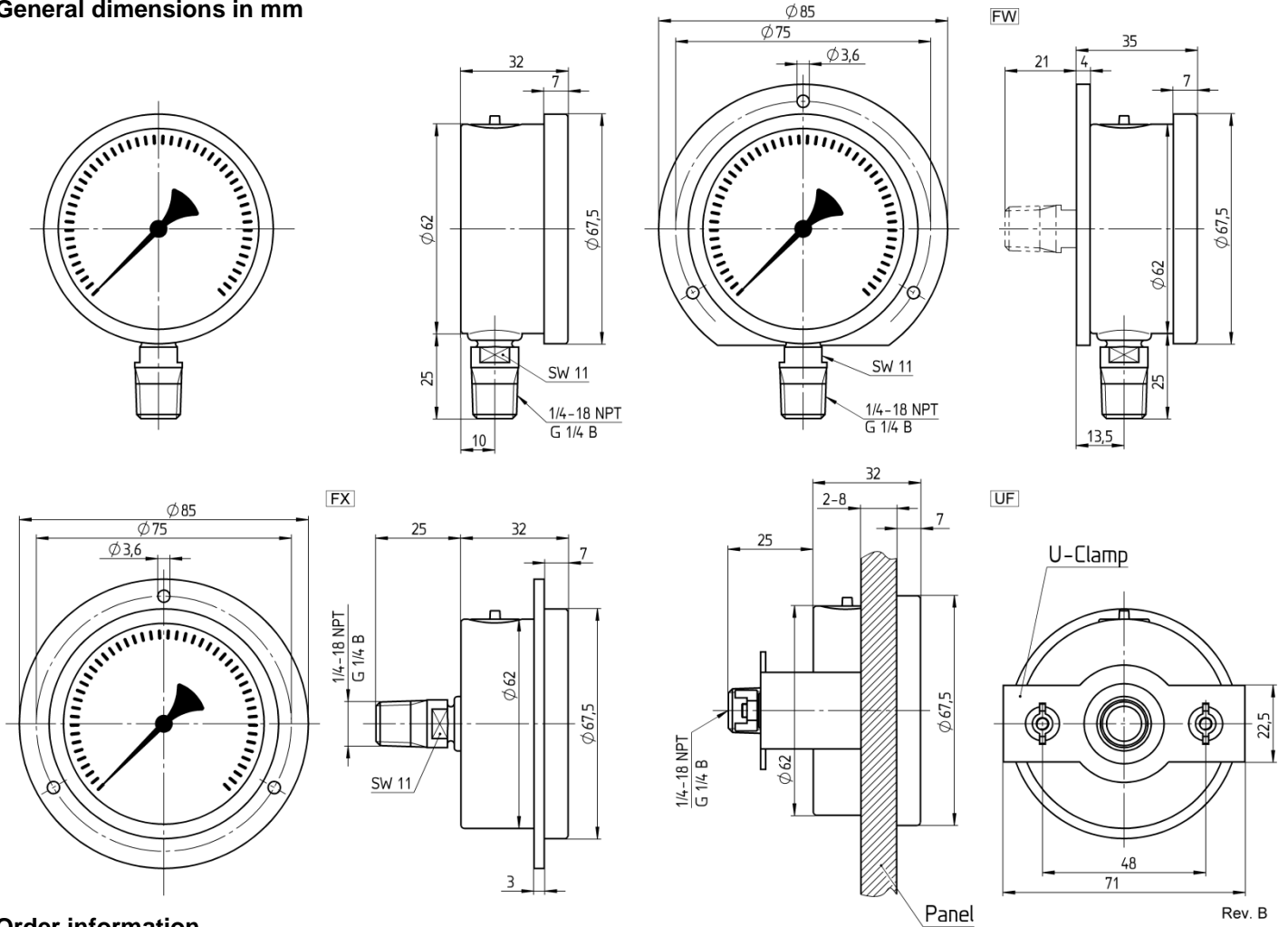
-1 ... 0 bar up to 0 ... 1000 bar  
-30 in. Hg ... 0 psi up to 0 ... 15.000 psi

### Applications

Chemical and petrochemical industry  
Machine and apparatus construction  
Food and beverage industry  
Pulp and paper industry



Technical specification	5008	
Dial size in mm	63	
Construction	Open front cylindrical case with fill plug and vent valve on top	
Ring design	Crimped ring	
Measuring principle	Bourdon tube	
Range in bar	1 1,6 2,5 4 6 10 16 25 40 60 100 160 250 400 600 1000 -1/0 -1/0,6 -1/1,5 -1/3 -1/5 -1/9	
Range in psi	15 30 60 100 150 200 300 400 600 1000 1500 2000 3000 5000 6000 10.000 15.000	
Range in in.Hg/psi	-30/0 -30/15 -30/30 -30/60 -30/100 -30/150 -30/300	
Overpressure limit	130 % F.S., short time	
Pressure type	Gauge, vacuum and compound	
Process connection	G ¼ B male according EN 837, R ¼ male tapered according JIS or BSP ½ or ¼ NPT male according ANSI/ASME B1.20.1	
Connection location	Lower, center back	
Material	Pressure connection Tube Case/bayonet ring Window Dial Pointer Movement	
Accuracy	Class 1,6 (1,6 % F.S.)	
Permissible	Ambient temperature Medium temperature Storage temperature Temperature effect	
Conformity according to RL 2014/34/EU appendix X for mechanical equipment in potential hazardous areas	Optional, Marking CE EX II 2 GD c File no. 35118307 at notified body 0044, TUV NORD CERT (only with safety glass)	T4 (T <sub>amb</sub> -20 ... 60 °C, T <sub>med</sub> -20 ... 100 °C) T5 (T <sub>amb</sub> -20 ... 60 °C, T <sub>med</sub> -20 ... 70 °C) T6 (T <sub>amb</sub> -20 ... 60 °C, T <sub>med</sub> -20 ... 55 °C)
Protection according EN 60 529/IEC 529	IP66 & IP67	
Filling liquid	Glycerin or silicone	
Mounting	Standard stem, optional flush, U-clamp or surface	
Weight dry/filled in kg	0,2/0,3	
Accessories, options	Diaphragm seals, valves	

**General dimensions in mm**

**Order information**

Size	Type	System material	Execution	Process connection	Connection orientation	Range	Engineering units	Filling/Case material	Options
(63) 63 mm	5008 Crimped ring (open front)	(S) 316L (1.4404)	(D) Dry IP66 & IP67  (L) Liquid filled IP66 & IP67	(01) 1/4 NPT male <sup>1)</sup>  (02) 1/4 NPT male  (13) G 1/4 B male  (KA) R 1/4 male, tapered JIS, BSP	(L) Lower  (B) Center back	-1/ 0 -1/ 0,6 -1/ 1,5 -1/ 3 -1/ 5 -1/ 9  0/ 1 0/ 1,6 0/ 2,5 0/ 4 0/ 6 0/ 10 0/ 16 0/ 25 0/ 60 0/ 100 0/ 160 0/ 250 0/ 400 0/ 600 0/1000	(BAR)	(=) Standard no filling  (GR) Glycerin  (GV) Silicone  (YW) Case material 316L (1.4404)	(NH) Tagging wired  (DA) Dial Marking <sup>1)</sup>  (TU) Throttle plug stainless steel  (PD) Acrylic glass  (SG) Safety glass  (FX) Front flange  (FW) Back flange  (UF) U-clamp  (AT4) ATEX listed, T4 <sup>2)</sup>  (AT5) ATEX listed, T5 <sup>2)</sup>  (AT6) ATEX listed, T6 <sup>2)</sup>  <small><sup>1)</sup> logo available with one color only <sup>2)</sup> (SG) Safety glass mandatory for (ATx) option</small>
				<sup>1)</sup> max. 400 bar					

**How to order**

Size	Type	System material	Execution	Process connection	Connection orientation	Range	Engineering unit	Filling/Case material	Option
63	5008	S	D	02	B	0/16	BAR	YW	FX

**Ashcroft Instruments GmbH**

Germany  
 Max-Planck-Str. 1,  
 D-52499 Baesweiler  
 P.O. Box 11 20, D-52490 Baesweiler  
 Tel.: +49 (0) 2401 808-0

France  
 „206“ ZA du Mandinet, 1/3 Rue des Campanules,  
 F-77185 Lognes  
 Tel.: +33 (0) 1 60 37 25 30

Website: [www.ashcroft.eu](http://www.ashcroft.eu)

Ashcroft Ltd.  
 Unit 17 & 18 William James House  
 Cowley Road,  
 Cambridge CB4 0WX  
 Tel.: +44 (0) 12 23 39 55 00

e-Mail: [sales@ashcroft.com](mailto:sales@ashcroft.com)

Ashcroft ISTANBUL  
 Gayrettepe Mah. Yildiz Posta Cad.  
 Yildiz Residence No:24 K:1 D:4  
 34349 Besiktas -Istanbul  
 Tel.: +90 (0)212 3270847