

Magnetic Differential pressure gauge

Model 1134

Max. static pressure 2,4 bar

Nominal size 4 ½ inch, 114 mm

Accuracy: 3 %

Features

- Stainless steel case
- Protection IP65
- Smooth pointer motion
- Compact design
- Magnetic coupling
- Optional Reed contacts

Ranges

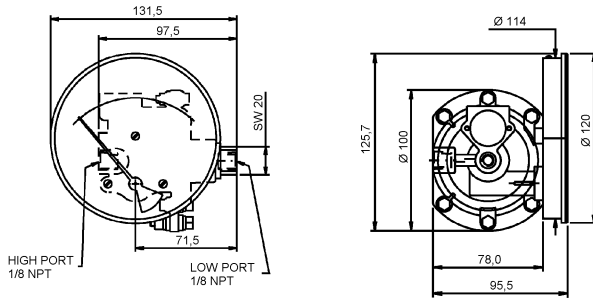
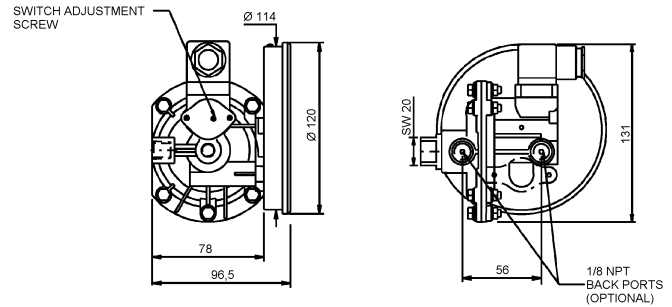
0 ... 25 mmH₂O up to 0 ... 1250 mmH₂O

Applications

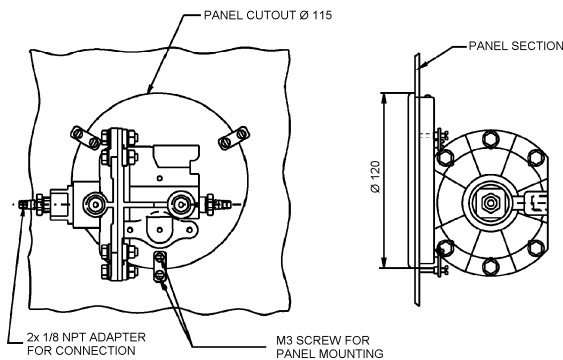
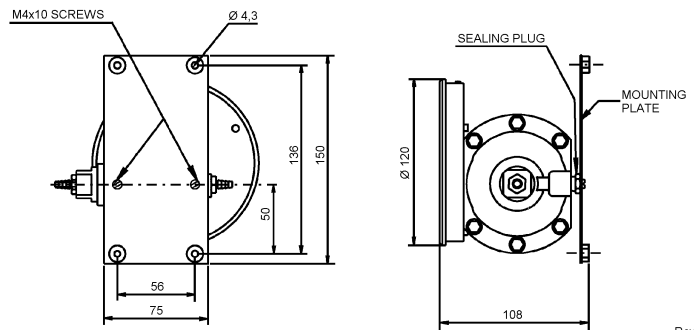
Air handling
 HVAC
 Pharmaceutical Equipment
 Filters



Technical specification	1134
Dial size in mm	114 (4 ½"), 150 mm flange on request
Construction	Cylindrical case
Measuring principle	Magnetic coupling
Actuator	Convolutated diaphragm
Range in mmH ₂ O	25 50 75 100 125 150 200 250 375 500 750 1000 1250
in Pa	250 500 750 1000 1250 1500 2000 2500 3750 5000 7500 10000 12500
in in. H ₂ O	1 2 3 4 5 6 8 10 15 20 25 30 40 50
Max. static pressure in bar	2,4 (35 psi)
Pressure type	Differential
Process connection	1/8 NPT female
Connection location	Back or in-line to select by user during mounting (adapters will be provide to plug unused ports)
Material	
Body, pressure chamber, piston	Engineering polymer, Aluminum
Magnet	Ceramic and Nylon
Diaphragm, seals	Buna-N, optional Silicone
Case/ring	Stainless steel 304 (1.4301)/Buna-N
Window	Instrument glass, optional acrylic
Dial	Aluminum, black markings on white background
Pointer	Aluminum, black, optional red set hand adjustable
Accuracy	3 % calibrated ascending
Permissible	
Ambient temperature	0 ... 60 °C
Medium temperature	Max. 60 °C
Storage temperature	0 ... 60 °C
Effect	Max. 0,3 % / 10 K
Protection according EN 60 529/IEC 529	IP65
Mounting	Direct, optional panel, wall or 2" pipe mounting (only for inline connections), others on request
Weight in kg	0,4
Accessories	
Standard	Two brass adapters for tubing connection (tube 3/16", 4 mm or 6 mm), flush mounting kit, two plugs for sealing the unused ports
Options	Manifold valves
Contacts (reed switches) optional	One or 2 SPST independently adjustable (rating 10 VA, 100 VAC or DC, 0,5 A) with DIN plug or one SPDT (rating 3 VA , 30 VAC or DC, 0,3 A) with DIN plug .

General dimensions in mm
STANDARD DIMENSIONS

GAUGE+SWITCH WITH REED CONTACTS WITH A DIN PLUG


This instrument with its off-center profile can still be easily inserted in a 115 mm panel cutout.

FLUSH MOUNTING DETAIL

SURFACE MOUNTING DETAILS


Rev. A

Order information

Size	Type	System material	Execution	Process connection	Connection orientation	Range	Engineering unit	Case/contacts	Options
(45) 4 1/2" (114 mm)	1134	(E) Engineering Polymer	(D) IP65 standard case	(RQ) 1/8 NPT female	(M) In-line and back (user chooses)	0/ 25 0/ 50 0/ 75 0/ 100 0/ 125 0/ 150 0/ 200 0/ 250 0/ 375 0/ 500 0/ 750 0/1000 0/1250	MMH2O	(=) Standard no filling, no contact Contacts (Reed) (V1) 1 SPST with DIN plug (V3) 2 SPST with DIN plug (V5) 1 SPDT with DIN plug	(NH) Tagging wired (CS) Dual scale (DA) Dial marking (SV) Diaphragm silicone (PD) Acrylic window (SH) Red set hand (BF) Wall mounting bracket (TM) 2" pipe mounting (FF1) Front flange (150 mm)
				others on request	User has to plug the unused ports with the supplied adapters.		in. H ₂ O, mbar, Pa and others on request		

Order example

Size	Type	System material	Execution	Process connection	Connection orientation	Range	Engineering unit	Case/contacts	Options
45	1134	E	D	RQ	M	0/25	MMH2O	=	NH

Ashcroft Instruments GmbH

Germany
 Max-Planck-Str. 1,
 D-52499 Baesweiler
 P.O. Box 11 20, D-52490 Baesweiler
 Tel.: +49 (0) 2401 808-0

France
 „206“ ZA du Mandinet, 1/3 Rue des Cam-
 panules,
 F-77185 Lognes
 Tel.: +33 (0) 1 60 37 25 30

Website: www.ashcroft.eu

Ashcroft Instruments Ltd.
 Unit 17 & 18 William James House
 Cowley Road,
 Cambridge CB4 0WX
 Tel.: +44 (0) 12 23 39 55 00

e-Mail: sales@ashcroft.com

Ashcroft ISTANBUL
 Gayrettepe Mah. Yildiz Posta Cad.
 Yildiz Residence No:24 K:1 D:4
 34349 Besiktas -Istanbul
 Tel.: +90 (0)212 3270847