

Differential pressure gauge

Model 1130/1131/1132/1133

Max. static pressure 400 bar

Nominal size 50, 63, 80, 100, 115 and 150 mm

Accuracy: 2 %

Features

- Stainless steel case and several wetted parts
- Static pressure up to 400 bar
- Protection IP65
- Smooth pointer motion
- Dry or liquid filled
- Magnetic coupling, solid front not required

Ranges

0 ... 2,5 mbar up to 0 ... 10 bar

Applications

Chemical and petrochemical industry

Machine and apparatus construction

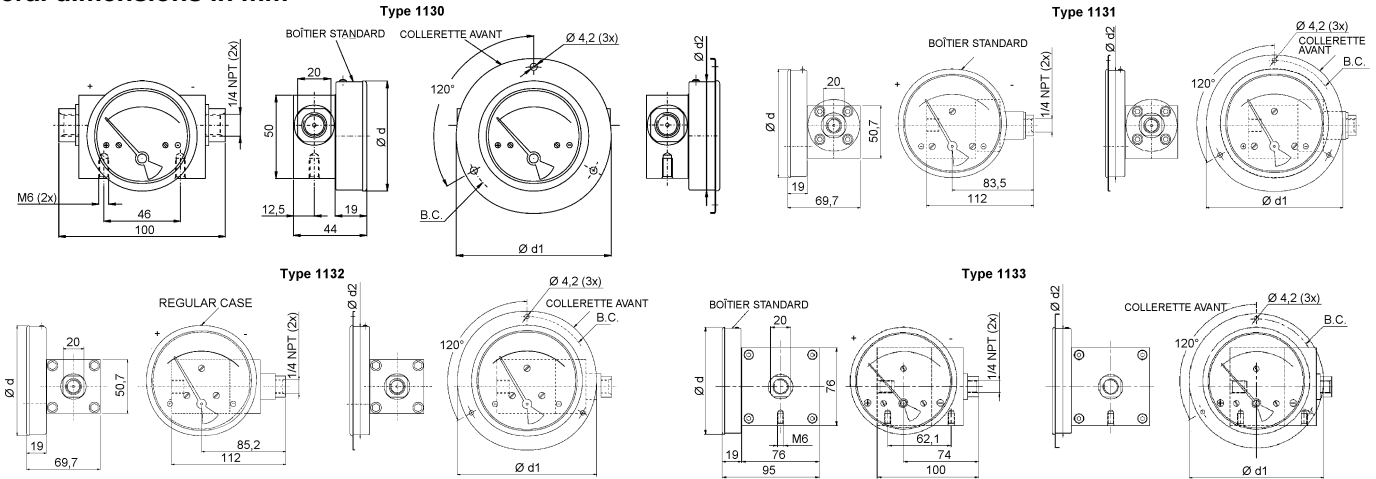
Filters, Hydraulic systems

Water treatment



Technical specification	1130	1131	1132	1133
Dial size in mm	50, 63, 80, 100, 115 and 150 (depending on the type)			
Construction	Cylindrical case			
Measuring principle	Magnetic coupling, solid front not required			
Actuator	Piston	Rolling diaphragm	Convoluted diaphragm	
Process fluid migration	Minimal	No		
Range in mm H ₂ O				25 50 125 250
				600 1000
in mbar	250 500	250	75 250	
in bar	0,25 0,5 0,75 1 1,6 2 2,5 3	0,25 0,5 0,75 1 2 2,5 4 7	0,25 0,5 0,75 1 1,6 2 2,5 3 4	
Max. static pressure in bar	3,5 4 5 6 7 200 or 400	200	100	35
Overload capability	(stainless steel body) Maximum static pressure is also maximum pressure allowed on one side	Max. pressure only on the high pressure side.	Max. static pressure is max. pressure allowed on one side	
Pressure type	Differential			
Process connection	G ¼ B female, ¼ NPT female, others on request			
Connection location	Lower, back, in-line	Lower, back, in-line		
Material	Body material, spring, screw, magnet and diaphragm (if used)			
Wetted parts	Aluminum, brass ¹⁾ or stainless steel 316 (1.4401)			¹⁾ not for type 1133
Body, pressure chamber, piston	304 (1.4301)			
Spring and screws	Ceramic			
Magnet	PTFE/Buna-N, Viton or EPDM			
O-Ring/Diaphragm (if used)	304 (1.4301), optional 316L (1.4404)			
Case/bayonet ring	Instrument glass, optional acrylic or toughened glass			
Window	Aluminum, black markings on white background			
Dial	Aluminum, black, optional red set hand or maximum pointer			
Pointer				
Accuracy calibrated ascending	2 %			
Permissible				
Ambient temperature	0 ... 80 °C			
Medium temperature	Max. 80 °C			
Storage temperature	0 ... 60 °C			
Effect	Max. 0,3 % / 10 K			
Protection according EN 60 529/IEC 529	IP65			
Filling liquids	Glycerin, Silicon on request, (not for type 1133)			
Mounting	Direct, optional panel or 2" pipe mounting (only for inline connections), others on request			
Weight dry/filled in kg	From 0,3 up to 1 depending on the construction			
Accessories, options	3 or 5 way remote mounted manifolds, valves			
Contacts (reed switches) optional	One or 2 SPST (rating 10 VA AC or DC, 100 VAC or DC, 0,5 A AC or DC) One or 2 SPDT (rating 3 VA AC or DC, 30 VAC or DC, 0,3 A AC or DC)			

General dimensions in mm



Ø CADRAN	d	d1	d2	B.C.
50 [2"]	53	79	52	69
63 [2,5"]	66	93	65	83
80 [3,5"]	83	109	82	99
100 [4"]	104	131	102	121
115 [4,5"]	120	146	117	136
150 [6"]	154	181	152,5	171

DÉCOUPE DU TABLEAU = d + 1 mm

REV. F

Drawings of gauges with contacts on request!

Order information

Size	Type	System material	Execution	Process connection	Connection orientation	Range	Engineering units	Filling/case/contacts	Options
(20) 2" ¹⁾ (50 mm)	1130	(S) Body 316 (1.4401)	(D) IP65 standard case	(27) G ¼ female ¹⁾	(S) In-line	0/ 75 ¹⁾ 0/ 250 0/ 500 ³⁾	MBAR	(=) Standard no filling, no contact	(NH) Tagging wired
	1131								
(25) 2 ½" ²⁾ (63 mm)	1132	(A) Body Brass (not for type 1133)	(L) Liquid filled IP65 (standard Glycerin, not for type 1133)	(02) ¼ NPT male ¹⁾	(B) Back ¹⁾	0/ 0,25 ²⁾ 0/ 0,5 0/ 0,75 0/ 1 0/ 1,6 ⁴⁾ 0/ 2 0/ 2,5 0/ 3 ⁴⁾ 0/ 3,5 ³⁾ 0/ 4 0/ 5 ³⁾ 0/ 6 ³⁾ 0/ 7 ²⁾ 0/ 9 ³⁾ 0/ 10 ³⁾	BAR	(GV) Silicone not for type 1133	(DA) Dial marking
(35) 3 ½" (80 mm)	1133	(F) Body Aluminum	(D) IP65 standard case	(25) ¼ NPT female	(1) no switches possible, switch without indication available	0/ 25 0/ 50 0/ 125 0/ 250 0/ 600 0/ 1000	psi and others on request	(V1) 1 SPST with DIN plug (V2) 1 SPST with terminals strip (V3) 2 SPST with DIN plug (V4) 2 SPST with terminals strip (V5) 1 SPDT with DIN plug (V6) 1 SPDT with terminals strip (V7) 2 SPDT with DIN plug (V8) 2 SPDT with terminals strip	(PD) Acrylic window (FF) Front flange (VD) Viton O-Rings/ diaphragm (EM) EPDM O-Rings/ diaphragm (not for type 1133) (TM) 2" pipe mount- ing bracket (inline mounting only) (EP) Maximum pointer (not for liquid filled, 2" and 6" housing)
(40) 4" ³⁾ (100 mm)									
(45) 4 ½" (115 mm)									
(60) 6" (150 mm)									
¹⁾ only for 1130 ²⁾ not for 1133				¹⁾ with adapter					

Order example

Size	Type	System material	Execution	Process connection	Connection orientation	Range	Engineering unit	Filling/case/contacts	Options
25	1130	F	D	RQ	L	0/1	BAR	=	NH

Ashcroft Instruments GmbH

Germany
Max-Planck-Str. 1, D-52499 Baesweiler
P.O. Box 11 20, D-52490 Baesweiler
Tel.: +49 (0) 2401 808-0, Fax: +49 (0) 2401 808-125

France
„206" ZA du Mandinet, 1/3 Rue des Campanules
F-77185 Lognes
Tel.: +33 (0) 1 60 37 25 30, Fax: +33 (0) 1 60 37 25 39

Website: www.ashcroft.eu

e-Mail: sales@ashcroft.com

Ashcroft Ltd.

Unit 17 & 18 William James House
Cowley Road, Cambridge CB4 0WX
Tel.: +44 (0) 12 23 39 55 00, Fax: +44 (0) 12 23 39 55 01