

# Industrial stainless steel case gauges with stainless steel system, Model 1008

According ASME B40.1 and EN 837-1  
Nominal size 63 mm and 100 mm  
Accuracy: Class 1,6 (EN)

## Features

- Patented *PowerFlex™* movement
- Rugged all welded construction
- Protection IP54 (vented) or IP65
- Overload protection 130 %
- Dry, liquid filled or liquid less (*PLUS! Gauge*)
- Measuring system stainless steel
- True Zero™ pointer indication
- MSL Helium leak tested
- RoHS compliant

## Ranges

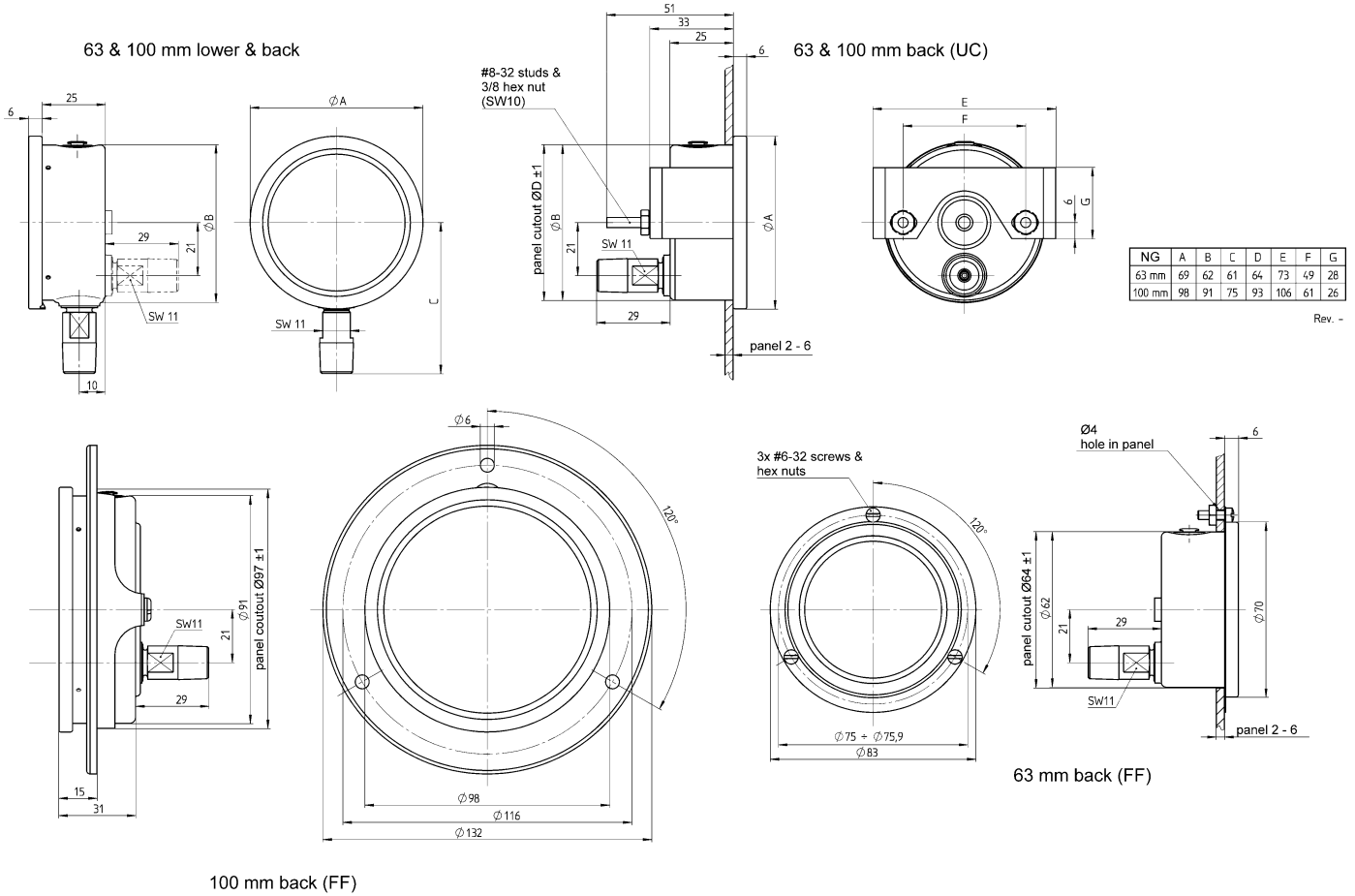
-1 ... 0 bar up to 0 ... 1000 bar  
-30 in. Hg ... 0 psi up to 0 ... 15.000 psi

## Applications

Chemical and petrochemical industry  
Machine and apparatus construction  
Food and beverage industry  
Pulp and paper industry



Technical specification	1008	
	63	100
Dial size in mm	63	100
Design standard	EN 837-1 or ASME B40.1	ASME B40.1
Construction	Open front with crimped ring	
Measuring principle	Bourdon tube C-shaped (vacuum up to 40 bar) or helical design (60 bar and up) with spring suspended <i>PowerFlex™</i> movement	
Range in bar	1 1,6 2,5 4 6 10 16 25 40 60 100 160 250 400 600 1000 -1/0 -1/0,6 -1/1,5 -1/3 -1/5 -1/9	
Range in psi in inHg/psi	15 30 60 100 160 200 300 400 600 800 1000 1500 2000 3000 5000 6000 7500 10000 15000 30/0 30/15 30/30 30/60 30/100 30/150 30/300	
Overpressure limit	130 % F.S., short time	
Pressure type	Gauge, vacuum and compound	
Process connection	¼ NPT male, ⅜ NPT male according ANSI/ASME B1.20.1 G ¼ B male, ¼ male straight or tapered JIS, BSP ½ NPT male according ANSI/ASME B1.20.1 (not for back connection)	
Connection location	Lower, lower back, top connection and connection at 3 or 9 o'clock on request	
Material	Pressure connection: Stainless steel 316 (1.4404) Tube: Stainless steel 316 (1.4404) Case/ring: Stainless steel 304 (1.4301) Window: Polycarbonate Dial: Aluminum, black markings on white background Pointer: Aluminum, black, friction adjustable Movement: Stainless steel series 300, <i>PowerFlex™</i> , polyester segment, overload/underload stops	
Accuracy	Class 1,6 according to EN 837-1	
Permissible	Ambient temperature: -40 ... 90 °C, liquid filled with glycerin -5 ... 65 °C, liquid filled with silicone -40 ... 65 °C Medium temperature: Max. 120 °C Storage temperature: -40 ... 65 °C Effect: Max. 0,3 % / 10 K	
Protection according EN 60 529/IEC 529	IP54 (plug vented), IP65 (plug sealed)	
Filling liquids	Glycerin, silicone, halocarbon, others on request Optional dampened movement (liquid less gauge), functions as liquid filled gauge ( <i>PLUS! gauge</i> )	
Mounting	Standard stem, optional flush with U-clamp or front flange	
Weight dry/filled in kg	0,11/0,21	0,50/0,74
Accessories, options	valves, receiver ranges, refrigerant ranges, customer dials	

**General dimensions in mm**

**Order information**

Size	System material	Execution	Process connection	Connection orientation	Range	Engineering units	Filling liquid	Options
<b>(63)</b> 63 mm	<b>(S)</b> 316 (1.4404)	<b>(=)</b> Standard IP65 (plug sealed)	<b>(01)</b> 1/8 NPT male	<b>(L)</b> Lower	-1/ 0	<b>(BAR)</b>	<b>(=)</b> standard no filling	<b>(NH)</b> Tagging wired
					-1/ 1,5			
<b>(100)</b> 100 mm		<b>(L)</b> Liquid filled IP65	<b>(02)</b> 1/4 NPT male	<b>(B)</b> Back	-1/ 3		<b>(GV)</b> Silicone	<b>(TU)</b> Throttle plug
					-1/ 5			
					-1/ 9			
					0/ 1			
					0/ 1,6			
					0/ 2,5			
					0/ 4			
					0/ 6			
					0/ 10			
					0/ 16			
					0/ 25			
					0/ 40			
0/ 60								
0/ 100								
0/ 160								
0/ 250								
0/ 400								
0/ 600								
0/ 1000								
			<b>(03)</b> 1/2 NPT male (only for dial size 100 mm, lower)				<b>(CS)</b> Dual scale	
			<b>(13)</b> G 1/4 B male				<b>(GR)</b> Glycerin	<b>(DA)</b> Dial marking
			<b>(KA)</b> 1/4 male tapered JIS/BSP				<b>(GX)</b> Halocarbon	<b>(6B)</b> Oxygen cleaned
			<b>(KJ)</b> 1/4 male straight JIS/BSP					<b>(UC)</b> U-clamp
								<b>(FF)</b> Front flange
								<b>(LJ)</b> Field fillable
								<b>(LL)</b> Liquid less gauges (Halocarbon filling not allowed)
						psi and others on request		

**Order example**

Size	Type	System material	Execution	Process connection	Connection orientation	Range	Engineering unit	Filling liquid	Options
63	1008	S	=	13	L	0/16	BAR	=	NH

**Ashcroft Instruments GmbH**

Germany  
 Max-Planck-Str. 1,  
 D-52499 Baesweiler  
 P.O. Box 11 20, D-52490 Baesweiler  
 Tel.: +49 (0) 2401 808-0

France  
 „206“ ZA du Mandinet, 1/3 Rue des Campanules,  
 F-77185 Lognes  
 Tel.: +33 (0) 1 60 37 25 30

Website: [www.ashcroft.eu](http://www.ashcroft.eu)

Ashcroft Instruments Ltd.  
 Unit 17 & 18 William James House  
 Cowley Road,  
 Cambridge CB4 0WX  
 Tel.: +44 (0) 12 23 39 55 00

e-Mail: [sales@ashcroft.com](mailto:sales@ashcroft.com)

Ashcroft ISTANBUL  
 Gayrettepe Mah. Yildiz Posta Cad.  
 Yildiz Residence No:24 K:1 D:4  
 34349 Besiktas -Istanbul  
 Tel.: +90 (0)212 3270847