

Industrial stainless steel case gauges

Model 1008

According ASME B40.1
Nominal size 40 mm, 50 mm, 63 mm and 100 mm
Accuracy: Grade B (3-2-3 %), optional 1,0 % F.S.

Features

- Rugged construction
- Protection IP54 and IP65
- Overload protection 130 %
- Dry or liquid filled
- Measuring system brass or stainless steel

Ranges

-1 ... 0 bar up to 0 ... 1000 bar
-30 in. Hg ... 0 psi up to 0 ... 15.000 psi

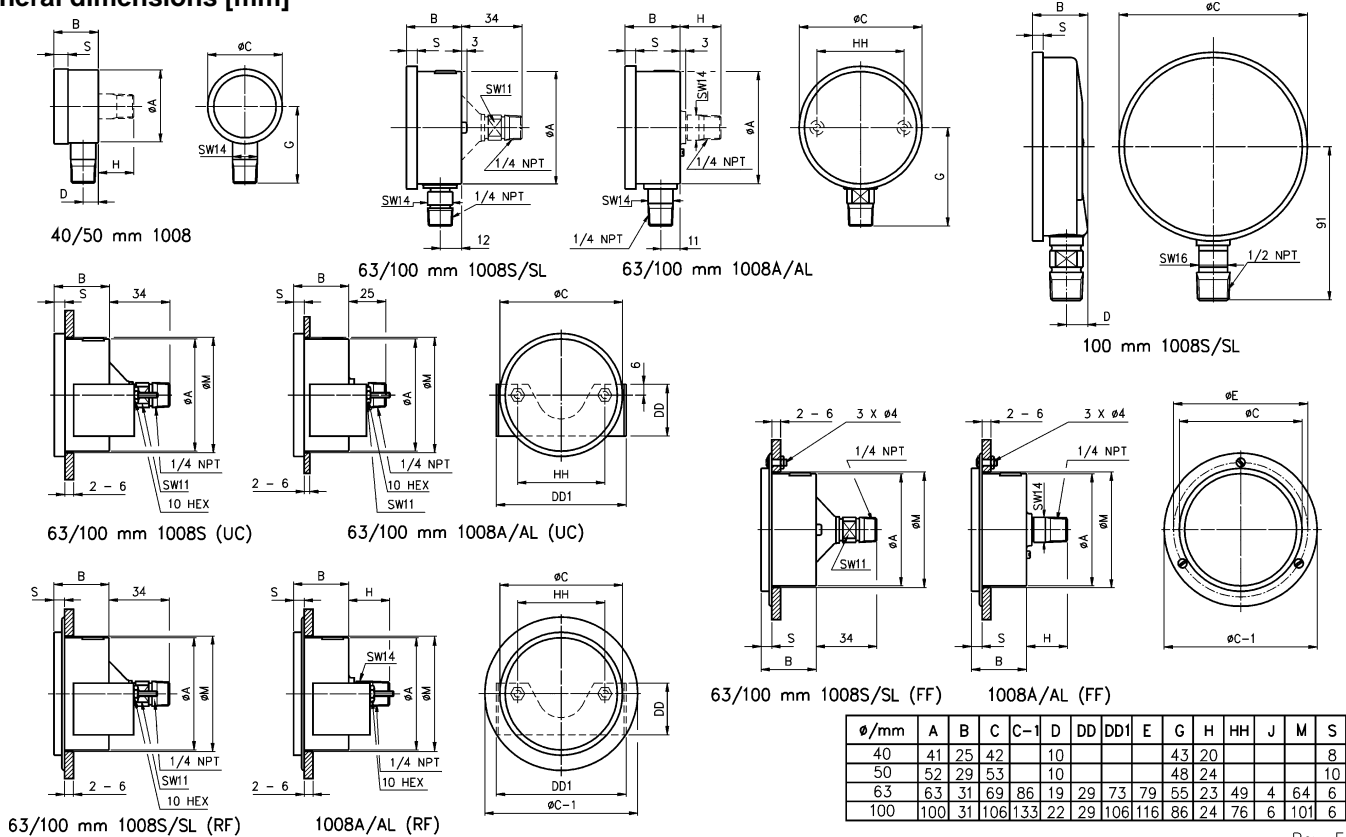
Applications

Chemical and petrochemical industry
Machine and apparatus construction
Food and beverage industry
Pulp and paper industry



Technical specification	1008																				
	40	50	63	100																	
Dial size [mm]																					
Construction	Open front with push-in ring		Open front with crimped ring																		
Measuring principle	Bourdon tube with conventional movement		Bourdon tube with power flex movement, welded (S) or soldered (A) socket to case																		
Range [bar]	1 -1/0	1,6 -1/1,5	2,5 -1/3	4 -1/5	6 -1/9	10	16	25	40	60	100	160	250	400	600 ¹⁾	1000 ¹⁾	only stainless steel tubes				
Overpressure limit	130 % F.S., short time																				
Pressure type	Gauge, vacuum and compound																				
Process connection	1/8 NPT male (standard for 40 mm), 1/4 NPT male (standard for 50 mm) according ANSI/ASME B1.20.1 G 1/8 B male, G 1/4 B male																	1/2 NPT male according ANSI/ASME B1.20.1 G 1/2 B male, only lower, Others on request			
Connection location	Lower, center back																				
Material																					
Pressure connection	Stainless steel 316 (1.4401)																	Brass, Stainless steel 316 (1.4401)			
Tube	Stainless steel 316 (1.4401)																	Bronze, Stainless steel 316 (1.4401)			
Case/ring	Stainless steel 304 (1.4301)																				
Window	Instrument glass																	Polycarbonate			
Dial	Aluminum, black markings on white background																				
Pointer	Aluminum, black																	Aluminum, black, friction adjustable			
Movement	Stainless steel series 300																	Stainless steel series 400			
Accuracy	Grade B (3-2-3 % F.S.)																	Grade B (3-2-3 % F.S.),		Grade B (3-2-3 % F.S.), optional 1,0 %	
Permissible																					
Ambient temperature	-25 ... 60 °C, liquid filled -45 ... 120 °C																				
Medium temperature	Max. 120 °C																				
Storage temperature	-40 ... 65 °C																				
Effect	Max. 0,3 % / 10 K																				
Protection according EN 60 529/IEC 529	IP54 (dry), IP65 (liquid filled), optional IP65 for dry gauges and field fillable																				
Filling liquids	Glycerin, silicone, halocarbon, others on request Optional dampened movement (liquid less gauge), functions as liquid filled gauge (PLUS! gauge)																				
Mounting	Stem, optional flush																				
Weight dry/filled [kg]	0,08/0,1				0,12/0,17				0,11/0,21				0,5/0,74								
Accessories, options	valves																				

General dimensions [mm]



ø/mm	A	B	C	C-1	D	DD	DD1	E	G	H	HH	J	M	S
40	41	25	42		10				43	20				8
50	52	29	53		10				48	24				10
63	63	31	69	86	19	29	73	79	55	23	49	4	64	6
100	100	31	106	133	22	29	106	116	86	24	76	6	101	6

Rev. E

Order information

Size	System material	Execution	Process connection	Connection orientation	Range	Engineering units	Filling liquid	Options
(40) 40 mm	(A) Bronze tube, brass socket (max. 400 bar, not for dial size ≤ 50 mm)	(=) Standard IP54	(04) ½ NPT male (only for dial size 100 mm, lower)	(L) Lower	-1/ 0	(BAR)	(=) standard no filling	(NH) Tagging wired
(50) 50 mm		(L) liquid filled IP65	(01) 1/8 NPT male (standard for dial size 40 mm)	(B) Center back	-1/ 1,5 -1/ 3 -1/ 5 -1/ 9		(GV) Silicone	(TU) Throttle plug
(63) 63 mm	(S) 316 (1.4401)		(02) ¼ NPT male (standard for dial size 50 mm)		0/ 1		(GR) Glycerin	(DA) Dial marking
(100) 100 mm			(13) G ¼ B male		0/ 1,6 0/ 2,5 0/ 4 0/ 6 0/ 10 0/ 16 0/ 25 0/ 40 0/ 60 0/ 100 0/ 160 0/ 250 0/ 400 ¹⁾ 0/ 600 ^{1) 2)} 0/ 1000 ^{1) 2)}		(GX) Halocarbon (not for dial size ≤ 50 mm)	(6B) Oxygen cleaned
			(15) G ½ B male (only for dial size 100 mm, lower)				(UC) U-clamp	
							(RF) Retrofit flange + U-clamp (not for dial size ≤ 50 mm)	
							(FF) Front flange	
					(LL) Liquid less gauges (only for dial size 63 mm and 100 mm, Halocarbon filling not allowed)			
								(LJ) Field fillable

How to order

Size	Type	System material	Execution	Process connection	Connection orientation	Range	Engineering unit	Filling liquid	Option
63	1008	S	=	02	L	0/16	BAR	=	NH

Ashcroft Instruments GmbH

Germany
Max-Planck-Str. 1,
D-52499 Baesweiler
P.O. Box 11 20, D-52490 Baesweiler
Tel.: +49 (0) 2401 808-0

France
„206“ ZA du Mandinet, 1/3 Rue des Campanules,
F-77185 Lognes
Tel.: +33 (0) 1 60 37 25 30

Website: www.ashcroft.eu

Ashcroft Ltd.
Unit 17 & 18 William James House
Cowley Road,
Cambridge CB4 0WX
Tel.: +44 (0) 12 23 39 55 00

e-Mail: sales@ashcroft.com

Ashcroft ISTANBUL
Gayrettepe Mah. Yildiz Posta Cad.
Yildiz Residence No:24 K:1 D:4
34349 Besiktas -Istanbul
Tel.: +90 (0)212 3270847