



Type 1109 General Service Gauge



FEATURES

- Solid front case design with full blowout back
- Temperature compensated case
- 4½" dial size
- ASME B40.100 Grade 1A, (±1% of span) accuracy
- 300 Series SS case and ring
- Ranges from vacuum through 100,000 psi
- Patented PLUS!™ Performance Option:
 - Liquid-filled performance in a dry gauge
 - Fights vibration and pulsations without liquid-fill headaches
 - Order as option XLL

The Type 1109 Ashcroft® solid front stainless steel case gauge offers many features not available elsewhere. With a true 4½" dial size, a fully temperature compensated case and blowout back for safety, the Type 1109 offers superior readability compared to the competitive 100mm case gauges. The Type 1109 has been designed to meet the needs of both the offshore platform market and also the waterblaster or waterjet markets.

For offshore platforms the Type 1109 is available dry, liquid-filled⁽¹⁾ or with the patented PLUS!™ performance option. The rugged design of the Type 1109 with ranges to 100,000 psi, is well suited to meet the needs of the waterblaster or waterjet market. With PLUS!™ performance standard on ranges above 30,000 psi this gauge offers superior readability and eliminates the headaches often associated with liquid-filled gauges.

(1) Liquid fill (glycerin only) available on ranges 20,000 psi and below.

PRODUCT SPECIFICATIONS

Model Number:	1109	Code
Accuracy:	ASME B40.1 Grade 1A (1%)	
Case Style:	Solid front with temperature compensated full blow-out back	(S)
Case Material:	300 Series stainless steel	
Dial Size:	4½"	(45)
Dial Material and Color:	White aluminum with black markings	
Pointer:	Micrometer adjustable	
Ring Type:	Cam lock, 300 Series stainless steel	
Bourdon Tube & Socket Material:	316 SS (20,000#)	(SD)
	Inconel (40,000; 50,000; 80,000;100,000#)	(WD)
Connection, Lower:	¼ NPT (02) or ½ NPT (04) ½ NPT standard for 20,000# All others ¼ high pressure tubing connection (09)	
Ranges:	Vac., compound, 15# to 100,000#	
Movement:	Standard, 316 stainless steel	
Pointer:	Micrometer adjustable	
Window:	Shatterproof glass	
Mounting:	Stem	
Weatherproof, Hermetically Sealed:	Standard	
Options:	Acrylic window:	(PD)
	Shatter proof glass:	(SG)
	Liquid fill-Glycerin	(L)
PLUS!™ Performance:	Standard (XLL), throttle device standard	

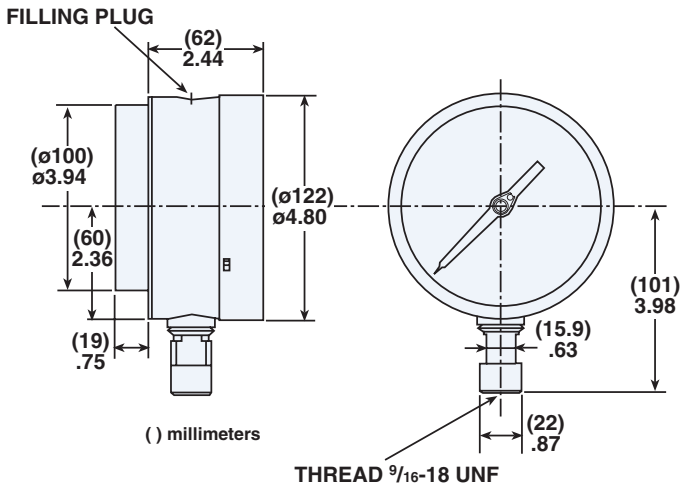
HOW TO ORDER:

	45	1109	SD	04L	XXX	0/100#
1. Dial size-4½"	_____	_____	_____	_____	_____	_____
2. Case Type-1109	_____	_____	_____	_____	_____	_____
3. Tube and socket material-see chart page 2	_____	_____	_____	_____	_____	_____
4. Connection size-¼ (02), ½ (04), ¾ high pressure (09)	_____	_____	_____	_____	_____	_____
5. Connection location-Lower (L) only	_____	_____	_____	_____	_____	_____
6. Optional features	_____	_____	_____	_____	_____	_____
7. Standard pressure range	_____	_____	_____	_____	_____	_____



Type 1109 General Service Gauge

DIMENSIONS



STANDARD RANGES

Pressure psi	Compound psi
0/15	30 in.Hg/15 psi
0/30	30 in.Hg /30 psi
0/60	30 in.Hg /60 psi
0/100	30 in.Hg /100 psi
0/160	30 in.Hg /150 psi
0/200	30 in.Hg /300 psi
0/300	
0/400	
0/600	
0/800	
0/1000	
0/1500	
0/2000	
0/3000	
0/5000	
0/10,000	
0/20,000	
0/30,000	
0/50,000	
0/80,000	
0/100,000	

NOTE:
Equivalent standard
kg/cm², and kPa metric
ranges are available.

BOURDON SYSTEM SELECTION

Ordering Code	Bourdon Tube & Tip Material	Socket Material	Tube Type	Range Selection Limits (psi)	NPT Conn.
SD	316 stainless steel	316 stainless steel	C-Tube	Vac/1500	½ (1)
	316 stainless steel	316 stainless steel	Helical	2k-20k	½ (1)
WD	Inconel 718	316 stainless steel	Helical	50k-100k	¼ high pressure

(1) ¼ NPT is optional.