

## Type 1005P, XUL Fire Protection Sprinkler Service Gauge



**Triple Scale Dials NOW Available**



Shown with Optional Rubber Boot

### FEATURES

- Underwriters Laboratory listed and Factory Mutual approved
- Corrosion-resistant ABS case
- Heat-resistant polycarbonate push-in window
- Patented PowerFlex™ movement with polyester segment
- True Zero™ indication, a unique safety feature

Ashcroft® fire protection sprinkler gauges are Underwriters Laboratory listed and Factory Mutual approved for fire protection sprinkler service. The case material on Type 1005P, XUL gauges is ABS. The 0-300 psi pressure range is used on “wet” systems where water is available to the sprinkler heads. The 0-80 retard to 250 psi pressure range is used on dry systems where the lines are filled with air pressure until system activation. The 0-600 psi gauge is available for systems requiring higher pressures.

Due to global demands for fire protection sprinkler gauges, Ashcroft offers UL listed, triple scale (bar, kPa, psi) dial gauges.

The patented PowerFlex™ movement with polyester segment is designed to provide unequalled shock and vibration resistance resulting in superior performance and extended gauge life.

True Zero™ indication, a standard feature on these gauges, reduces the potential risk of installing a damaged gauge on your equipment.

### PRODUCT SPECIFICATIONS

<b>Ashcroft® Model No.:</b>	1005P, XUL
<b>Accuracy:</b>	ASME B 40.100 Grade B (±3-2-3% of span)
<b>Size:</b>	3 1/2"
<b>Case:</b>	ABS (Polycarbonate blend)
<b>Ring:</b>	None
<b>Window:</b>	Polycarbonate, push-in
<b>Dial:</b>	Black figures on white background
<b>Pointer:</b>	Black, aluminum
<b>Bourdon tube:</b>	“C” shaped bronze
<b>Movement:</b>	Patented PowerFlex™ with polyester segment
<b>Socket:</b>	Brass
<b>Restrictor:</b>	None
<b>Connection:</b>	1/4 NPT lower
<b>Ranges:</b>	Single, dual or triple scale 0-300 psi (water) 0-80 retard to 250 psi (air) 0-600 psi

**Operating temperature:** -40°F to 150°F; -40°C to 65°C

UL 393 Listed, UL of Canada Listed and FM approved. Equivalent (single or dual scale) metric scales are available

### OPTIONAL FEATURES

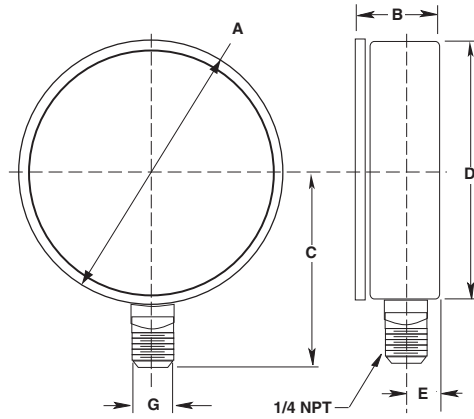
- Customized dials
- Other UL listed ranges on application
- Black Rubber Gauge Boot

### HOW TO ORDER (Typical example)

		35	W	1005	P	H	02L	XUL	300#
<b>Dial Size:</b> 3 1/2"	_____								
<b>Movement:</b> Patented PowerFlex™	_____								
<b>Case Type Number:</b> 1005P	_____								
<b>Case Material:</b> ABS	_____								
<b>Socket Material:</b> Brass	_____								
<b>Connection Size/Location:</b> 1/4 NPT Lower	_____								
<b>Listing:</b> UL listed, FM approved	_____								
<b>Range:</b> 0/300 psi	_____								

## Type 1005P, XUL Fire Protection Sprinkler Service Gauge

### DIMENSIONS



SIZE/TYPE	A	B	C	D	E	G	Weight
3 1/2"	3.70	1.14	2.72	3.61	0.47	0.56	6.138 oz
1005P, XUL	(94)	(29)	(69)	(92)	(11.9)	(14.2)	0.174 kg